



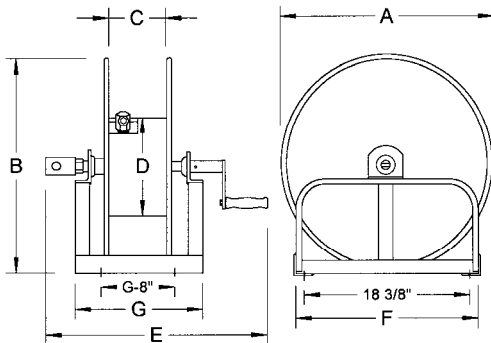
# HAND CRANK REELS

## ROPE



### STANDARD EQUIPMENT

- BALL BEARINGS, BOTH SIDES
- HEAVY DUTY CONSTRUCTION
- POWDER COAT FINISH



### ORDERING

*Please supply the following information*

- 1 - MODEL NUMBER OF REEL
- 2 - RIGHT OR LEFT HAND CRANK

### GENERAL PURPOSE

MODEL NUMBER	HOSE		DIMENSIONS IN INCHES						
	I.D.	LGTH	A	B	C	D	E	F	G
RPDC1110-20S	5/8"	300'	20	21 1/2	10	11	18 1/2	20	16
RPDC1115-20S	5/8"	500'	20	21 1/2	15	11	23 1/2	20	21

**ROADLINE PRODUCTS INC. U.S.A.**

13253 Stanbridge Avenue, Downey, California 90242  
 Office: (562) 404-8889 Fax: (562) 404-7349