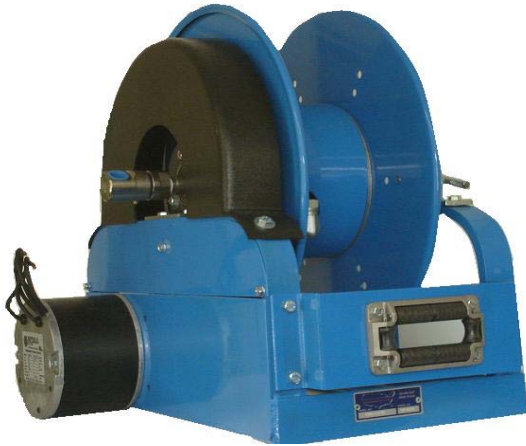




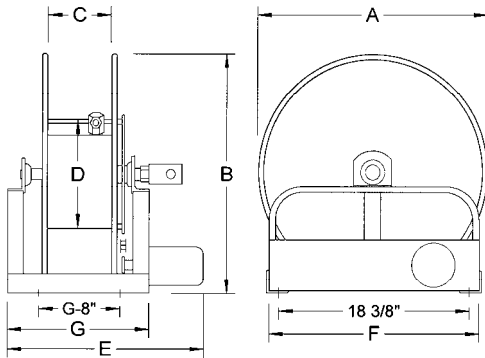
# MOTOR REWIND REELS

## 1/4" THRU 1/2" HOSE



### STANDARD EQUIPMENT

- 3,000 PSI
- BALL BEARINGS, BOTH SIDES
- HEAVY DUTY CONSTRUCTION
- POWDER COAT FINISH
- 12 VOLT MOTOR



### ORDERING

*Please supply the following information*

- 1 - MODEL NUMBER OF REEL
- 2 - RIGHT OR LEFT HAND INLET

### GENERAL PURPOSE

MODEL NUMBER	HOSE		DIMENSIONS IN INCHES						
	I.D.	LGTH	A	B	C	D	E	F	G
RPE806-18-02	1/4"	125'	18	19 1/2	6	8	14 1/2	20	12
RPE806-18-05	1/2"	100'	18	19 1/2	6	8	16 1/2	20	12

**ROADLINE PRODUCTS INC. U.S.A.**

13253 Stanbridge Avenue, Downey, California 90242

Office: (562) 404-8889

Fax: (562) 404-7349