



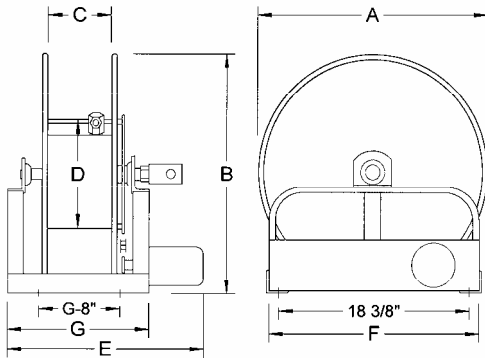
MOTOR REWIND REELS

1/4" THRU 1/2" HOSE



STANDARD EQUIPMENT

- 3,000 PSI
- BALL BEARINGS, BOTH SIDES
- HEAVY DUTY CONSTRUCTION
- POWDER COAT FINISH
- 12 VOLT MOTOR



ORDERING

Please supply the following information

- 1 - MODEL NUMBER OF REEL
- 2 - RIGHT OR LEFT HAND INLET

GENERAL PURPOSE

MODEL NUMBER	HOSE		DIMENSIONS IN INCHES						
	I.D.	LGTH	A	B	C	D	E	F	G
RPE806-18-02	1/4"	125'	18	19 1/2	6	8	14 1/2	20	12
RPE806-18-05	1/2"	100'	18	19 1/2	6	8	16 1/2	20	12

ROADLINE PRODUCTS INC. U.S.A.

13253 Stanbridge Avenue, Downey, California 90242

Office: (562) 404-8889

Fax: (562) 404-7349



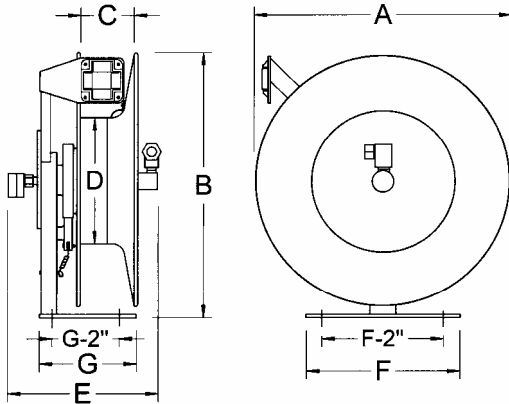
SPRING OPERATED REELS

1/4" THRU 1/2" HOSE



STANDARD EQUIPMENT

- HOSE INCLUDED ON AIR & WATER REELS
- POSITIVE LOCK & UNLOCK RATCHET (NON SPARKING)
- 800 PSI ON AIR & WATER REELS
- 3,000 PSI ON PAINT REELS
- ROLLER GUIDES FOR WALL, CEILING OR SURFACE MOUNT
- POWDER COAT FINISH



ORDERING -

Please supply the following information

- 1 - MODEL NUMBER OF REEL
- 2 - PRODUCT TO BE HANDLED

AIR / WATER REELS

MODEL NUMBER	HOSE		DIMENSIONS IN INCHES							MAXIMUM PRESSURE
	I.D.	LGTH	A	B	C	D	E	F	G	
RPSD4A2-02	1/4"	50'	16	17 1/2	4	10	8 1/4	8	5	800 PSI

PAINT REELS

MODEL NUMBER	HOSE		DIMENSIONS IN INCHES							MAXIMUM PRESSURE
	I.D.	LGTH	A	B	C	D	E	F	G	
RPSF4D2-02P	1/4"	50' PAINT	20	21 1/2	5	10	9 1/4	10	8	3,000 PSI

ROADLINE PRODUCTS INC. U.S.A.

13253 Stanbridge Avenue, Downey, California 90242

Office: (562) 404-8889

Fax: (562) 404-7349